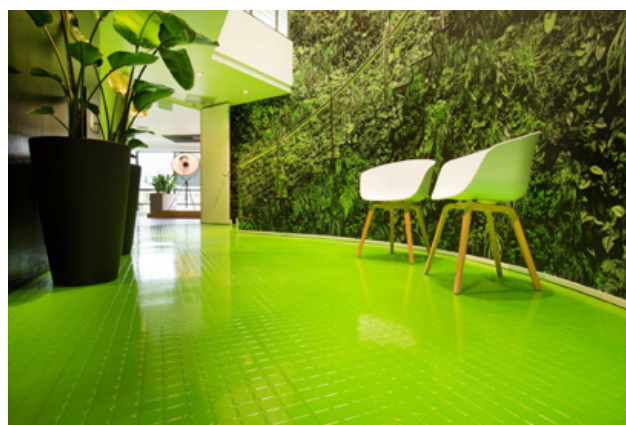


tile system

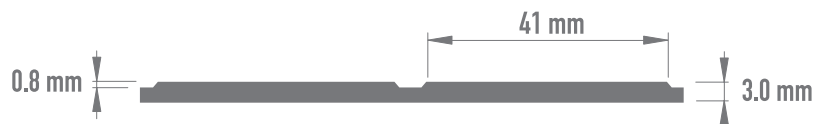
cerama | deco | clasica hm | leganti | textura

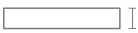
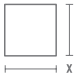




- Tile
- Suitable for extremely heavy traffic areas
- Extreme durability
- Low VOC certified material
- CA 01350 compliant
- May contribute with points to LEED program
- Free of PVC and halogens
- Cigarette burn resistant
- 25 colors

rubber flooring tiles for extremely heavy traffic areas,
with solid color range and studded surface.

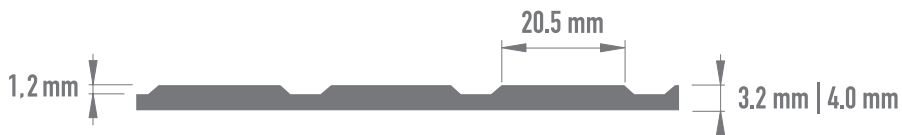



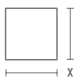




cerama



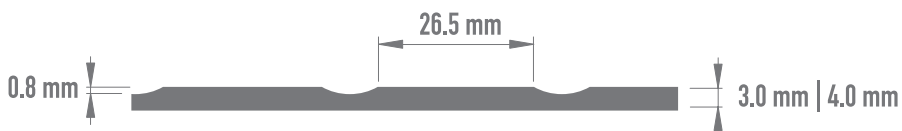
Art.	 I	 x		
1021-35	 I 3.0 mm Homogeneous	50 x 50 cm	20 units	4.4 kg/m ²
1021-28	 I 3.0 mm Double backing	50 x 50 cm	20 units	4.8 kg/m ²


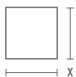






deco



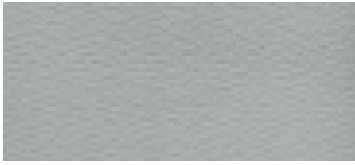
Art.	 I	 x		
1321-41	 I 3.2 mm Homogeneous	50 x 50 cm	20 units	4.2 kg/m ²
1321-59	 I 4.0 mm Double backing	50 x 50 cm	20 units	5.8 kg/m ²


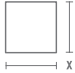




clasica



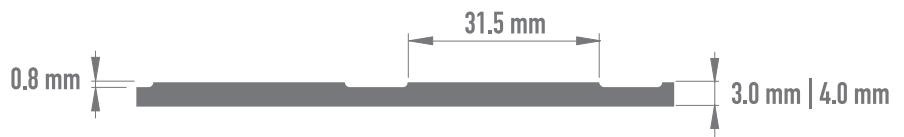
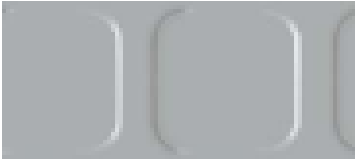
Art.	 I	 x		
1221-35	 I 3.0 mm Homogeneous	50 x 50 cm	20 units	4,3 kg/m ²
1221-66	 I 4.0 mm Homogeneous	50 x 50 cm	20 units	5,6 kg/m ²
1221-28	 I 3.0 mm Double backing	50 x 50 cm	20 units	4,3 kg/m ²
1221-59	 I 4.0 mm Double backing	50 x 50 cm	20 units	5,6 kg/m ²









hm



Art.				
1721-25	 2.7 mm Homogeneous	1.00 m x 1.00 m	6 units	4.4 kg/m ²
1721-26	 2.7 mm Double backing	1.00 m x 1.00 m	6 units	4.8 kg/m ²







leganti

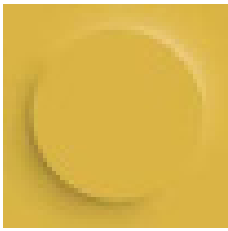


Art.				
1821-35	 3.0 mm Homogeneous	50 x 50 cm	20 units	4,3 kg/m ²
1821-66	 4.0 mm Homogeneous	50 x 50 cm	20 units	5,9 kg/m ²
1821-28	 3.0 mm Double backing	50 x 50 cm	20 units	4,3 kg/m ²
1821-59	 4.0 mm Double backing	50 x 50 cm	20 units	5,9 kg/m ²

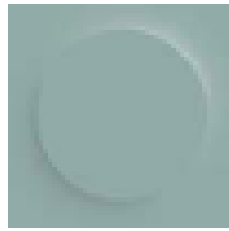
textura



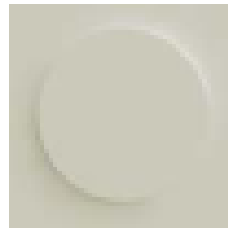
Art.				
2421-35	 3.0 mm Homogeneous	50 x 50 cm	20 units	4,4 kg/m ²
2421-28	 3.0 mm Double backing	50 x 50 cm	20 units	4,8 kg/m ²



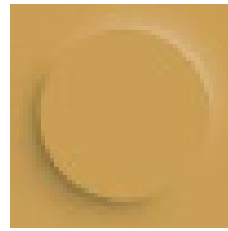
0044 | AMARILLO - C
ESPACIAL



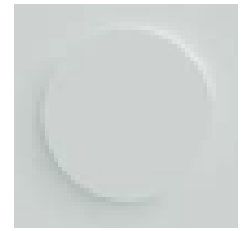
0052 | MAR - C



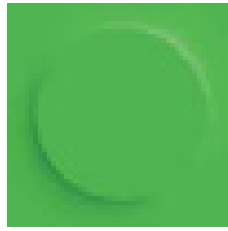
0045 | CRUDO - C



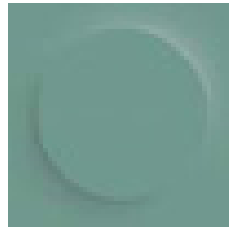
0048 | DURAZNO - C



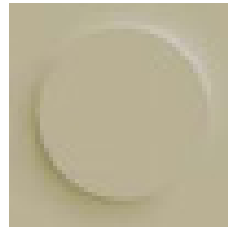
0055 | PERLADO - C



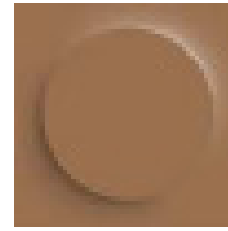
0050 | VERDE CROMO - D



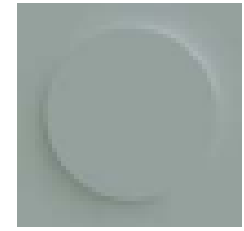
0053 | TOPACIO - C



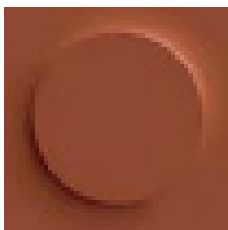
0033 | BEIGE - C



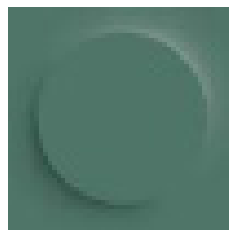
0021 | TERRACOTA - B



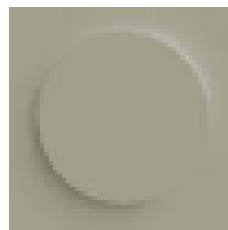
0061 | LACAR - C



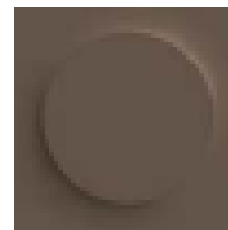
0001 | ROJO - D



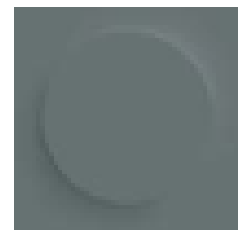
0054 | MUSGO - C



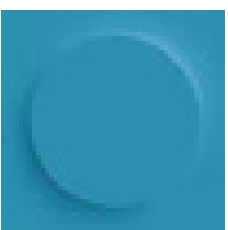
0046 | TOSTADO - C



0029 | MODENA - C



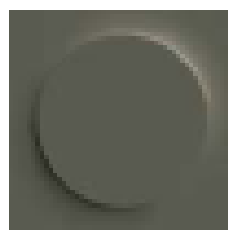
0007 | GRIS - B



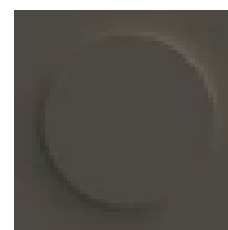
05031 | GLACIAR - C



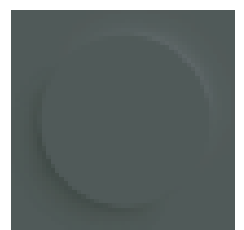
0034 | ADRIATICO - C



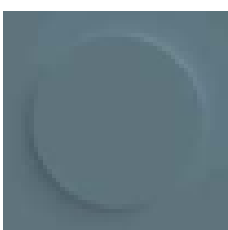
0018 | CHOCOLATE - B



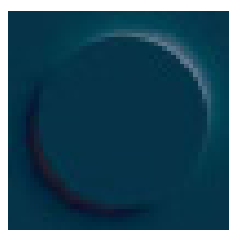
0049 | COLA - D



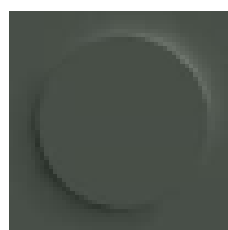
0025 | CHARCOAL - B



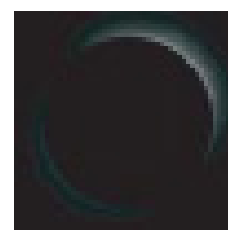
0051 | LAVANDA - C



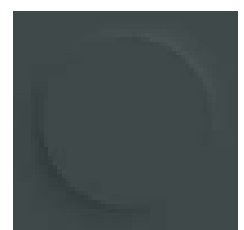
0028 | COBALTO - D



0047 | CAFE - C



0019 | BLACK - A



0056 | PELTRE - B